

torretta™ 36 whirlpool bath

the torretta™ whirlpool bath—truly classic, truly refined—like the tiny, pristine mountain town for which it is named.



A throwback to old-world bathing comfort the deep-welled, high-backed luxury of tubs of years long gone.

features:

- 2 fully adjustable PowerPro® jets
- 2 fully adjustable TheraPro™ jets
- 4 AccuPro™ body and side jets
- 2 AccuPro™ neck jets
- Multi-speed motor
- 256 Chromatherapy lighting system
- All-in-one electronic control panel
- RapidHeat™ inline heater
- Wave Pulse™ system
- Water level sensor
- ProO₃™ Ozone Sanitation System standard

torretta™ 36 whirlpool bath

model number: EH95

exterior dimensions:

72" long x 35 1/8" wide x 23 1/2" high

interior dimensions:

44" long x 23" wide

of Jets/type of Jets:

- 2 PowerPro® Jets,
- 2 TheraPro™ Jets,
- 2 AccuPro™ Rotating Neck Jets,
- 2 AccuPro™ Body Jets
- 2 Side Jets

operating gallons:

70 gallons



Detail: Powerful, massaging PowerPro® and AccuPro™ jets reside in the Torretta™ whirlpool bath's contoured backrest. Graceful curves compliment most any décor.





Torretta™ 36 Whirlpool Bath

Model: EH95

Ordering Information

Product Code:
EH95 Torretta™ Whirlpool Bath
Right Hand

- Left hand Drain Location
- Accessories / Hardware:
 - Trim Kit: 2 HTA Jet Rings #P412
 - Trim Kit: 2 HTC Jet Rings #P413
 - Rotary Drain Kit, 30" Cable #K606
 - Trim Kit: 2 BMH Jet Rings #J869
 - Oval Trim Kit #N557
 - Trim Kit: 2 Neck Jet Rings #P556
- Trim Kit Finishes Available:
 - (827) - Chrome
 - (898) - Brushed Chrome
 - (815) - Satin Nickel
 - (829) - Bright Brass
 - (805) - Platinum
 - (826) - Brushed Nickel
 - (845) - Oil Rubbed Bronze

Installation Notes

Refer to installation instructions included with fixture before beginning installation. Please confirm product availability and specifications before commencing with any installation work.

PRODUCT SPECIFICATIONS AND AVAILABILITY ARE SUBJECT TO CHANGE WITHOUT NOTICE.

Technical Specifications

Dimensions

72" L x 35-1/8" W x 22-7/8" H1 x 21" H2 x 23-1/2" H3
(1829 mm) L x (892 mm) W x (581 mm) H1 x (533 mm) H2 x (597 mm) H3

Drain/Overflow

A: 18-3/16" (459 mm) B: 15" (381 mm)

Cutout

Template Provided P/N: P652000

Total Weight

948 lb (430 kg) / 54 lb/sq. ft. (264 kg/m²)

Operating Gallonage

70 U.S. Gal. (265 Liters)

Product Weight

115 lb (52 kg)

Skirt Mounting

Not Available

Electrical Specifications

Requires a dedicated GFCI protected separate circuit.

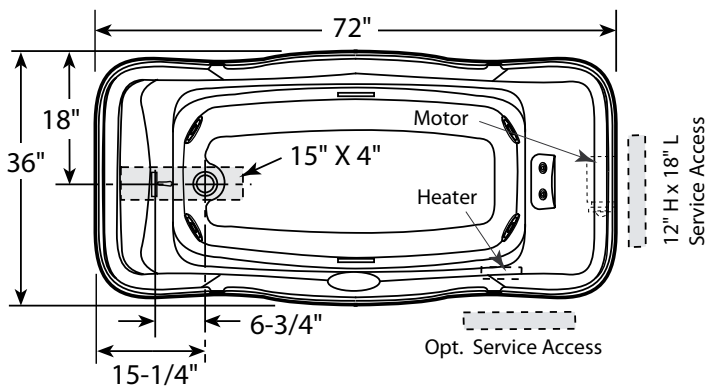
Motor/Pump: 120 VAC, 20 AMP, 60 Hz.

RapidHeat™: 120 VAC, 15 AMP, 60 Hz.

Heater (Standard)

Requires a dedicated GFCI protected separate circuit.

RapidHeat™: P/N S750000



Product Shown: Torretta™ Whirlpool Bath Right Hand Shown Model: EH95

* Measurements inside unit represent cutout in floor to allow for drain/overflow.

Minimum Service Access dimensions given.

